



DESCRIPTION

A robust pressure switch with full metal stops for demanding applications. Features a heavy steel body providing high proof pressures as well as an outstanding burst pressure rating. Excellent for hydraulic applications that may see system pressure shock.

FEATURES

- Snap action micro switch
- Factory set or field adjustable
- Full metal stops
- High proof pressure

APPLICATIONS

- Industrial equipment
- Scissor lifts
- Presses
- Cranes

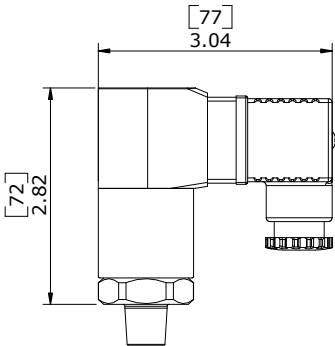
Specifications

Electrical	5A [12/24 VDC, 125 VAC] or 3A [250 VAC] Optional: 10A or Gold Contact
Switch Type	Snap Action
Protection	DIN 43650A - IP65, Terminals - IP00
Temperature Range	-20°F to 180°F (-29°C to 82°C) Nitrile
Mechanical Range	1,000,000 Cycles @ 1000 PSI (69 BAR)
Diaphragm Material	Standard: Nitrile Optional: Viton, EPDM, HNBR
Housing Material	Zinc Plated Steel (Optional Stainless Steel)
Maximum Overpressure	12000 PSI (827 BAR)
Repeatability	+/- 2% of full set point range at 20°C (68°F)
Differential	7 - 30 % of setting
Weight	0.69 lbs (0.31 kg)

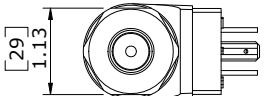
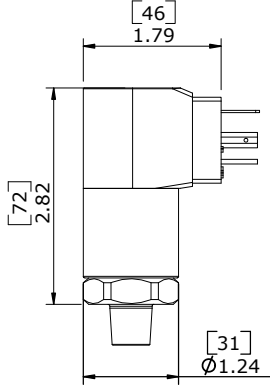
Pressure Range

Model	Adjustment Range	
	PSI	BAR
2	15 - 75	1.2 - 5.2
3	50 - 150	3.4 - 10
4	150 - 650	10 - 44
5	500 - 1750	34 - 120
6	1500 - 6000	103 - 413

Dimensions



HCR
Right angled DIN
43650A



HR
Right angled DIN
43650A male only



Wiring Code

CONTACT	DIN 43650 TYPE
COMMON	PIN 1
NORMALLY CLOSED	PIN 2
NORMALLY OPEN	PIN 3

Ordering Information

Field Adjustable	SDCA	-	¹ 2	-	² 2M	-	³ C	-	⁴ HCR	-	^{5 (Optional)} 1
Factory Preset	SDCF	-	¹ 50F	-	² 2M	-	³ C	-	⁴ HCR	-	^{5 (Optional)} 1

1 - Pressure Selection

Field Adjustable - Select Model Code

Insert set point value XXX followed by: R, F, BR, or BF

Model	Adjustment Range	
	PSI	BAR
2	15 - 75	1.2 - 5.2
3	50 - 150	3.4 - 10
4	150 - 650	10 - 44
5	500 - 1750	34 - 120
6	1500 - 6000	103 - 413

OR

Set Point	Direction	Description
XXXX	R	PSI Rising Pressure
	F	PSI Falling Pressure
	BR	BAR Rising Pressure
	BF	BAR Falling Pressure

2 - Thread Options:

- 4M** - 1/4 NPT male
- 4MF** - 1/4 NPT female
- 4G** - 1/4 BSPP male, G1/4
- 4GF** - 1/4 BSPP female, G1/4
- 4S** - 7/16-20 SAE male, with O-ring seal



3 - Circuit:

- C** - SPDT (Single Pole Double Throw)

4 - Electrical Termination:

- HCR** - 90 Degree DIN 43650A PG9/PG11
- HNR** - 90 Degree DIN 43650A 1/2" NPT Conduit

5 - Options (Omit if not required):

- 1** - Viton® Diaphragm
- 2** - EPDM Diaphragm
- 3** - 316 Stainless Steel Process Connection
- 4** - HNBR Diaphragm
- 7** - Gold Contact, Snap Action Microswitch @ 20mA/12VDC
- 8** - 10 amp, Snap Action Microswitch @ 10(2) 125 VAC (inductive), 6(2) 250 VAC (inductive)
- 20** - Seal Adjustment Screw
- OC** - Oxygen Cleaned Switches
- SR** - Snubber

Note: Please see page 52 for other available options