

Control Value L (mm)	Rod Cutting For Min Level A (mm)	Control Value L1 (mm)	Rod Cutting for Max Level B (mm)
120	116		
140	137		
160	158		
220	221	120	131
240	242	140	152
260	263	160	173
280	284	180	194
300	305	200	215
320	326	220	236
340	347	240	257
360	368	260	278
380	389	280	299
400	410	300	320
420	431	320	341
440	452	340	362
460	473	360	383
480	494	380	404
500	515	400	425
520	511	420	421
540	532	440	442
560	553	460	463
580	574	480	484
600	595	500	505
620	616	520	526
640	637	540	547
660	658	560	568
680	679	580	589
700	700	600	610
720	721	620	631
740	742	640	652
760	763	660	673
780	784	680	694
800	805	700	715
820	826	720	736
840	847	740	757
860	868	760	778
880	889	780	799
900	910	800	820
920	931	820	841
940	952	840	862
960	973	860	883
980	994	880	904
1000	1015	900	925

H = 60 for L = 120 to 500
H = 90 for L = 501 to 1000
H1 = 70 for L1 = 120 to 1000

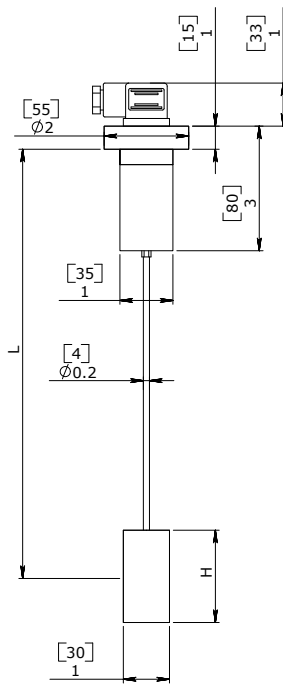
LEVEL SWITCH SPECIFICATION



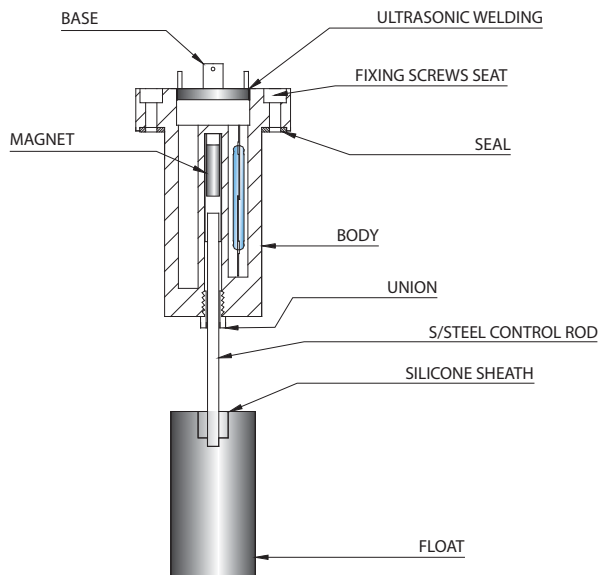
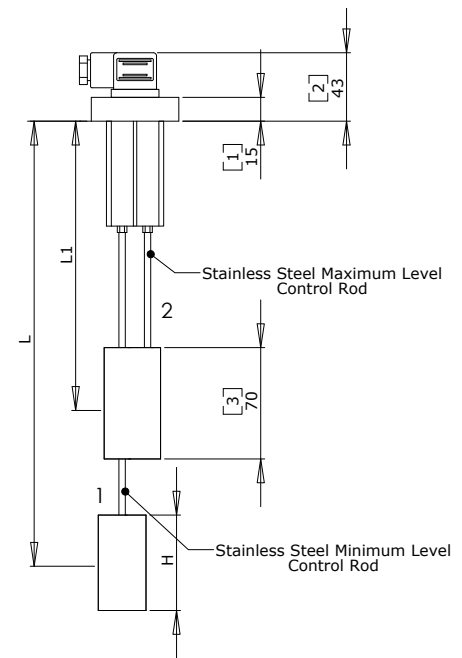
Wiring Code - LF1	
CONTACT	DIN 43650 TYPE
COMMON	PIN 1
NORMALLY CLOSED	PIN 2
NORMALLY OPEN	PIN 3

Wiring Code - LF2	
CONTACT	JUNCTION BOX
COMMON	YELLOW
NORMALLY CLOSED	BLUE
NORMALLY OPEN	WHITE

LF1



LF2



F3 Mounting Pattern:

