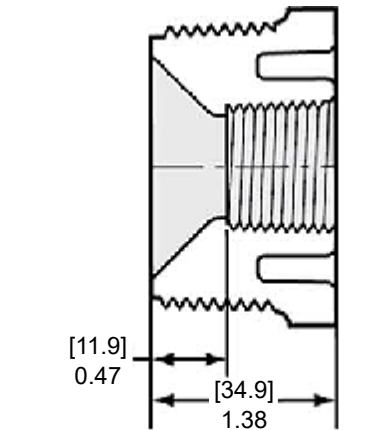


Wiring Code	
CONTACT	FLYING LEADS
RED	+VDC
BLACK	-VDC
YELLOW	4-20 mA Output
WHITE	Relay Common
BLUE	Relay 1
ORANGE	Relay 2
GREEN	Relay 3
BROWN	Relay 4

### TM3216 Bushing Dimensions



### Ordering Information

Field Adjustable

ULS - <sup>1</sup>R - <sup>2</sup>16M - <sup>3</sup>78

#### 1 - Output Type:

- A - Analog Output
- R - 4 Relay Output
- D - Analog and 4 Relay Output

#### 2 - 16M - 1" NPT thread

#### 3 - Cable Length:

- 78 - 78 inches (2 meter cable)
- 275 - 275 inches (7 meter cable)

#### 1 - Accessories (Recommended optional separate item)

TM3216 - 2" NPT PVC isolating bushing. Recommended for optimal performance

Note: Please see page 52 for other available options