

### DESCRIPTION

An economical differential switch utilizing a simple and reliable design. It is used for many monitoring applications such as a filter change indicator. Constructed of an anodized aluminium body with steel ports for durability.

### FEATURES

- Snap action micro switch
- Factory set or field adjustable
- Diaphragm design

### APPLICATIONS

- Filter element monitoring
- Fluid control
- Water treatment applications

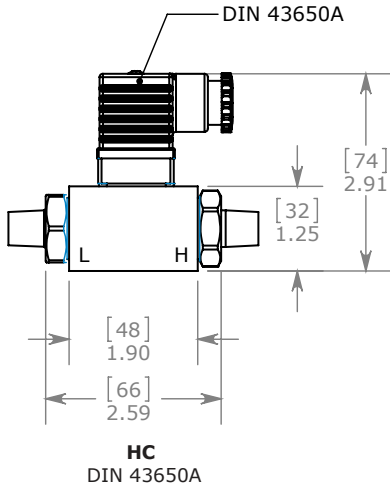
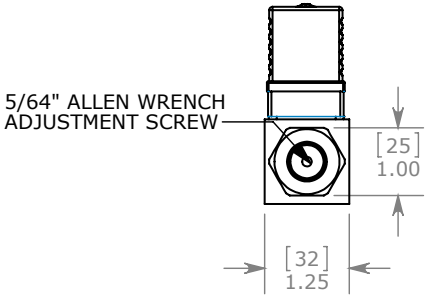
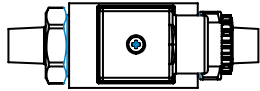
### Specifications

|                      |  |
|----------------------|--|
| Electrical           | 5A [12/24 VDC, 125 VAC] or 3A [250 VAC]          |
| Switch Type          | Snap Action                                      |
| Protection           | DIN 43650A - IP65, Terminals - IP00              |
| Temperature Range    | -20°F to 180°F (-29°C to 82°C) Nitrile           |
| Mechanical Range     | 1,000,000 Cycles @ 75 PSI (5.2 BAR)              |
| Diaphragm Material   | Standard: Nitrile<br>Optional: Viton, EPDM, HNBR |
| Housing Material     | Anodized Aluminum Housing                        |
| Maximum Overpressure | 500 PSI (34 BAR)                                 |
| Repeatability        | +/- 2% of full set point range at 20°C (68°F)    |
| Differential         | 10 - 30% of setting                              |
| Weight               | 0.75 lbs (0.35 kg)                               |

### Pressure Range

| Model | Adjustment Range |           |
|-------|------------------|-----------|
|       | PSID             | BARD      |
| 1     | 10 - 30          | 0.7 - 2.0 |
| 2     | 25 - 60          | 1.7 - 4.0 |

### Dimensions



### Wiring Code

|                 |                |
|-----------------|----------------|
| CONTACT         | DIN 43650 TYPE |
| COMMON          | PIN 1          |
| NORMALLY CLOSED | PIN 2          |
| NORMALLY OPEN   | PIN 3          |

DIFFERENTIAL

## Ordering Information

**Field Adjustable**    **DSPA** - <sup>1</sup>**2** - <sup>2</sup>**4M-4M** - <sup>3</sup>**C** - <sup>4</sup>**HC** - <sup>5 (Optional)</sup>**1**

**Factory Preset**    **DSPF** - <sup>1</sup>**30F** - <sup>2</sup>**4M-4M** - <sup>3</sup>**C** - <sup>4</sup>**HC** - <sup>5 (Optional)</sup>**1**

### 1 - Pressure Selection:

Field Adjustable - Select Model Code

Insert set point value XXX followed by: R, F, BR, or BF

| Model    | Adjustment Range |           |
|----------|------------------|-----------|
|          | PSI              | BAR       |
| <b>1</b> | 10 - 30          | 0.7 - 2.0 |
| <b>2</b> | 25 - 60          | 1.7 - 4.0 |

OR

| Set Point | Direction | Description          |
|-----------|-----------|----------------------|
| XXXX      | <b>R</b>  | PSI Rising Pressure  |
|           | <b>F</b>  | PSI Falling Pressure |
|           | <b>BR</b> | BAR Rising Pressure  |
|           | <b>BF</b> | BAR Falling Pressure |

### 2 - Thread Options for both process connections:

**4M-4M** - 1/4 NPT male

**4G-4G** - 1/4 BSPP male, G1/4

### 3 - Circuit:

**C** - SPDT (Single Pole Double Throw : Normally Open and Normally Closed)

### 4 - Electrical Termination:

**HC** - DIN 43650A PG9/PG11 - connector type (only available in SPDT option)

**HN** - DIN 43650A 1/2" NPT Conduit (only available in SPDT option)

### 5 - Options (Omit if not required):

- 1** - Viton® Diaphragm
- 2** - EPDM Diaphragm
- 4** - HNBR Diaphragm
- 7** - Gold Contact, Snap Action Microswitch @ 20 mA / 12 VDC
- 8** - 10 amp, Snap Action Microswitch @ 10(2) 125 VAC (inductive), 6(2) 250 VAC (inductive)



Note: Please see page 60 for other available options