

DESCRIPTION

The KAPS/KAPF is a piston pressure switch featuring an external adjustment knob to easily adjust set point. The switch is IP67 rated, enabling high performance in most outdoor conditions. It is excellent for hydraulic applications requiring long cycle life.

FEATURES

- Snap action micro switch
- Factory set or field adjustable
- Full metal stops
- High proof pressure

APPLICATIONS

- Industrial equipment
- Scissor lifts
- Presses
- Cranes

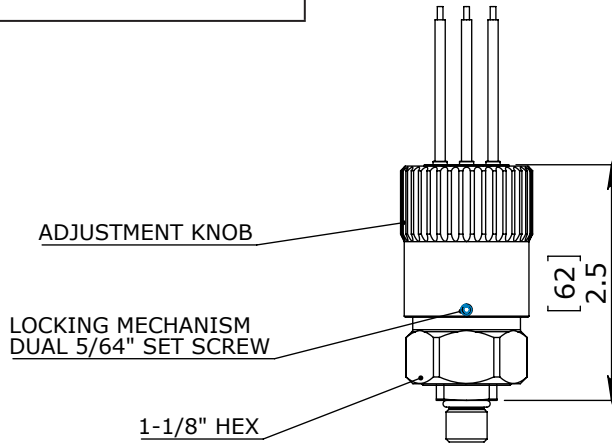
Specifications

Electrical	5A [12/24 VDC, 125 VAC/250 VAC] Optional: 10A or Gold Contact
Switch Type	Snap Action
Protection	IP67
Media Temperature Range	Nitrile: -20°F to 180°F (-29°C to 82°C) Viton: 23°F to 248°F (-5°C to 120°C) HNBR: -20°F to 248°F (-29°C to 120°C) EPDM: -20°F to 248°F (-29°C to 120°C)
Ambient Temperature Range	-40°F to 180°F (-40°C to 82°C)
Mechanical Life Expectancy	1,000,000 Cycles @ 2500 PSI (172 BAR)
Piston Seal	HNBR
Housing Material	Zinc Plated Steel
Maximum Overpressure	15000 PSI (1034 BAR)
Repeatability	+/- 2% of full set point range at 20°C (68°F)
Differential	6 - 25 % of setting
Weight	0.44 lbs (0.2 kg)

Pressure Range

Model	Adjustment Range	
	PSI	BAR
5	350 - 1000	24 - 69
6	600 - 1600	41 - 110
7	1000 - 3200	69 - 220

Dimensions



Wiring Code

CONTACT	FLYING LEADS	FLWF / FLWM FLCM / FLCF / FLPM / FLPF		FLDR / FLDP	
		SPDT MODEL	SPST MODEL	SPDT MODEL	SPST MODEL
COMMON	BLACK	PIN A	PIN A	PIN A	PIN 1
NORMALLY CLOSED	BLUE	PIN C	PIN B	PIN C	PIN 2
NORMALLY OPEN	RED	PIN B	PIN B	PIN B	PIN 2

Ordering Information

Field Adjustable	KAPS	-	¹ 5	-	² 4M	-	³ C	-	⁴ FL	-	^{5 (Optional)} 1
Factory Preset	KAPF	-	¹ 350F	-	² 4M	-	³ C	-	⁴ FL	-	^{5 (Optional)} 1

1 - Pressure Selection

Field Adjustable - Select Model Code

Insert set point value XXX followed by: R, F, BR, or BF

Model	Adjustment Range	
	PSI	BAR
5	350 - 1000	24 - 69
6	600 - 1600	41 - 110
7	1000 - 3200	69 - 220

OR

Set Point	Direction	Description
XXXX	R	PSI Rising Pressure
	F	PSI Falling Pressure
	BR	BAR Rising Pressure
	BF	BAR Falling Pressure

2 - Thread Options:

- 4M** - 1/4 NPT male
- 4S** - 7/16-20 SAE male, with O-ring seal

3 - Circuit:

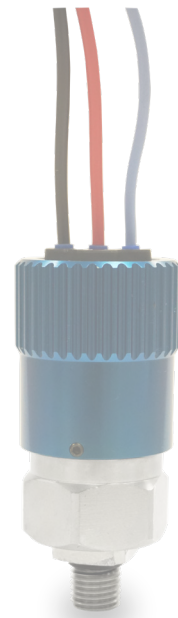
- A** - SPST (Normally Open)
- B** - SPST (Normally Closed)
- C** - SPDT (Single Pole Double Throw: Normally Open and Normally Closed)

4 - Electrical Termination:

- FL** - Flying Lead 18" long, 18 AWG
- FLWF** - Flying Lead Weatherpack connector, female, Tower, 10" long leads
- FLWM** - Flying Lead Weatherpack connector, male, Shroud, 10" long leads
- FLDP** - Flying Lead Deutsch connector, plug, 10" long leads
- FLDR** - Flying Lead Deutsch connector, receptacle, 10" long leads
- FLCM** - Flying Lead Metripack, male, 150 series, 10" long leads
- FLCF** - Flying Lead Metripack, female, 150 series, 10" long leads
- FLPM** - Flying Lead Metripack, male, 280 series, 10" long leads
- FLPF** - Flying Lead Metripack, female, 80 series, 10" long leads

5 - Options (Omit if not required):

- 1** - Viton® Seal
- 7** - Gold Contact, Snap Action Microswitch @ 20mA/12VDC
- 8** - 10 amp, Snap Action Microswitch @ 10(1.5) 125 VAC/250 VAC (inductive)



Note: Please see page 63 for other available options