

### DESCRIPTION

The S2TAF is a bimetal temperature switch featuring an internal sensing cavity that allows for sensing of the fluid temperature without the need of a probe. It is most suitable for where areas is a tight constraint. The S3TAF temperature switch is ideal for high amperage rating with high ingress protection.

### FEATURES

- Factory preset
- High current rating
- Reliable differential
- Compact size

### APPLICATIONS

- Hydraulic reservoir safety switch
- Coolant temperature switch

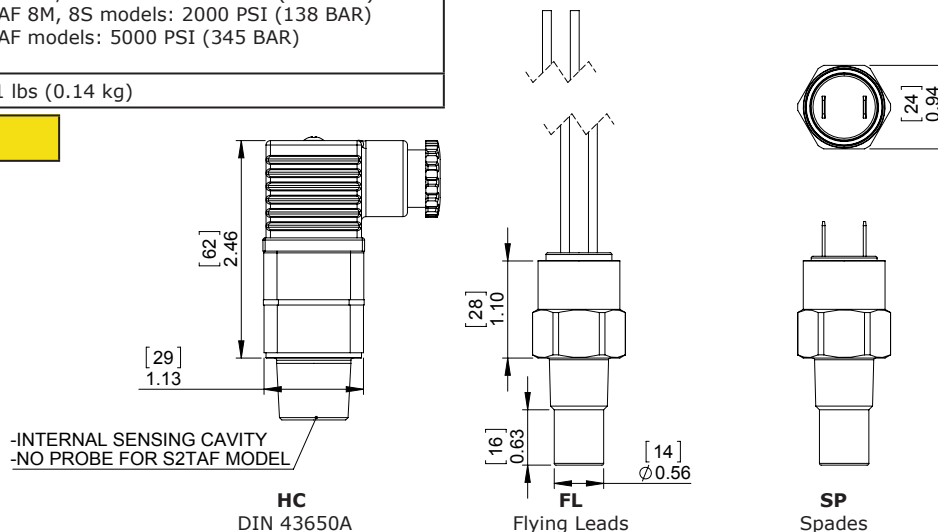
### Specifications

Electrical	120 VAC - 15A Resistive 240 VAC - 10A Resistive 12VDC - 12A Resistive 24 VDC - 6A Resistive
Switch Type	Bimetal
Protection	DIN 43650A: IP65 Terminals: IP00 Flying Lead: IP67 Deutsch DT04-2P: IP67
Repeatability	+/- 7°F
Temperature Range	77°F to 293°F (25 °C to 145°C)
Temperature Differential	25°F (12°C)
Temperature Exposure Limit	300°F (149°C)
Housing Material	Brass (Optional: Stainless Steel)
Maximum Overpressure	S2TAF 4M, 6M models: 5000 PSI (345 BAR) S2TAF 8M, 8S models: 2000 PSI (138 BAR) S3TAF models: 5000 PSI (345 BAR)
Weight	0.31 lbs (0.14 kg)

### Temperature Set Point Range (Factory Set)

°F	°C
77 - 293	25 - 145

### Dimensions



### Wiring Code

CONTACT	FLYING LEADS	DIN 43650 TYPE	FLWF / FLWM FLCM / FLCF / FLPM / FLPF	FLDR / FLDP
COMMON	BLACK	PIN 1	PIN A	PIN 1
NORMALLY CLOSED	BLACK	PIN 2	PIN B	PIN 2
NORMALLY OPEN	BLACK	PIN 2	PIN B	PIN 2

## Ordering Information

### Factory Preset

S2TAF or S3TAF - <sup>1</sup>140F - <sup>2</sup>4M - <sup>3</sup>B - <sup>4</sup>FL

### 1 - Temperature Selection:

Insert set point value XXX followed by: R, F  
Temperature selection is in increments of 5°F

Set Point	Direction	Description
XXXX	<b>R</b>	°F Rising Temperature
	<b>F</b>	°F Falling Temperature

### 2 - Thread Options:

Thread Description	S2TAF Model	S3TAF Model
	No Probe	5/8" Probe
1/4 NPT	<b>4M</b>	<b>4M10</b>
3/8 NPT	<b>6M</b>	<b>6M10</b>
1/2 NPT	<b>8M</b>	<b>8M10</b>
1/2 BSPP	<b>8G</b>	<b>8G10</b>
3/4-16 SAE with Viton O-ring seal	<b>8S</b>	<b>N/A</b>

- Other Thread and Probe options are available upon request. Consult factory for availability

### 3 - Circuit:

- A** - SPST (Normally Open)
- B** - SPST (Normally Closed)

### 4 - Electrical Termination:

S2TAF	<b>HC</b>	- DIN 43650A - connector type (Only available for S2TAF series)
	<b>HN</b>	- DIN 43650A 1/2" NPT Conduit (Only available for S2TAF series)
S3TAF	<b>FL</b>	- Flying Lead 18" long, 18 AWG
	<b>FLWF</b>	- Flying Lead Weatherpack connector, female, Tower, 10" long leads
	<b>FLWM</b>	- Flying Lead Weatherpack connector, male, Shroud, 10" long leads
	<b>FLDP</b>	- Flying Lead Deutsch connector, plug, 10" long leads
	<b>FLDR</b>	- Flying Lead Deutsch connector, receptacle, 10" long leads
	<b>FLCM</b>	- Flying Lead Metripack, male, 150 series, 10" long leads
	<b>FLCF</b>	- Flying Lead Metripack, female, 150 series, 10" long leads
	<b>FLPM</b>	- Flying Lead Metripack, male, 280 series, 10" long leads
	<b>FLPF</b>	- Flying Lead Metripack, female, 280 series, 10" long leads
	<b>SP</b>	- 1/4" Spade



\*Other material and options available upon request. Please consult factory for details.