



## DESCRIPTION

A compact vacuum switch utilizing a high quality snap action micro switch for applications in which price and size are of concern. It is used for pneumatic, water and low pressure applications. Its modular design allows for a variety of electrical and mechanical terminations.

## FEATURES

- Snap action micro switch
- Factory set or field adjustable
- Diaphragm design
- WRAS approved EPDM diaphragms available

## APPLICATIONS

- Vacuum generators
- Industrial automation
- Pick and place units
- Engine load monitoring

\* UL available for certain models

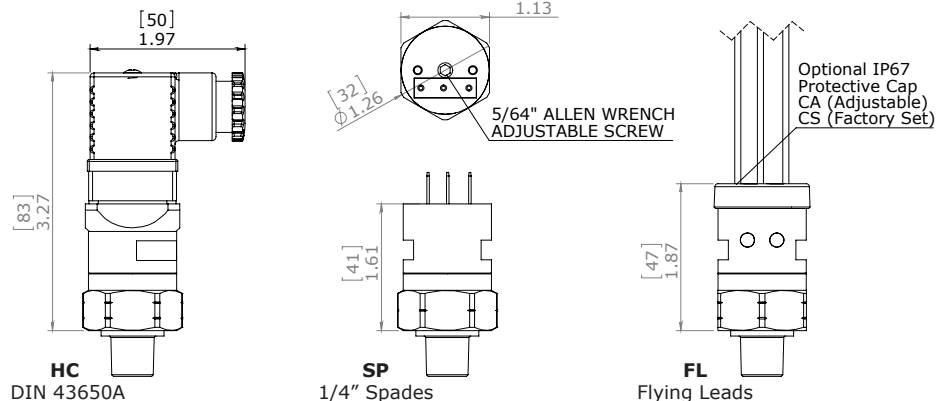
## Specifications

Electrical	5A [12/24 VDC, 125 VAC] or 3A [250 VAC] Optional: 10A or Gold Contact
Switch Type	Snap Action
Protection	DIN 43650A - IP65 Spades - IP00 Flying Lead: IP64 Flying Lead with CA/CS: IP67
Media Temperature Range	Nitrile: -20°F to 180°F (-29°C to 82°C) Viton: 23°F to 248°F (-5°C to 120°C) HNBR: -20°F to 248°F (-29°C to 120°C) EPDM: -20°F to 248°F (-29°C to 120°C)
Ambient Temperature Range	-40°F to 180°F (-40°C to 82°C)
Mechanical Range	1,000,000 Cycles @ 20 inHg
Diaphragm Material	Standard: Nitrile    Optional: Viton, EPDM, HNBR
Housing Material	Brass (Optional Stainless Steel)
Maximum Overpressure	350 PSI (25 BAR)
Repeatability	+/- 2% of full set point range at 20°C (68°F)
Differential	10 - 40% of setting
Weight	0.26 lbs (0.12 kg)

## Vacuum Range

MODEL	Adjustment Range	
	inHg	Millibar
1	5-30	170 - 1016

## Dimensions



## Wiring Code

CONTACT	FLYING LEADS	DIN 43650 TYPE	FLWF / FLWM FLCM / FLCF / FLPM / FLPF		FLDR / FLDP	
			SPDT MODEL	SPST MODEL	SPDT MODEL	SPST MODEL
COMMON	BLACK	PIN 1	PIN A	PIN A	PIN A	PIN 1
NORMALLY CLOSED	BLUE	PIN 2	PIN C	PIN B	PIN C	PIN 2
NORMALLY OPEN	RED	PIN 3	PIN B	PIN B	PIN B	PIN 2

## Ordering Information

### Field Adjustable

**SVA** - <sup>1</sup>**1** - <sup>2</sup>**2M** - <sup>3</sup>**C** - <sup>4</sup>**HC** - <sup>5 (Optional)</sup>**1**

### Factory Preset

**SVF** - <sup>1</sup>**25F** - <sup>2</sup>**2M** - <sup>3</sup>**C** - <sup>4</sup>**HC** - <sup>5 (Optional)</sup>**1**

## 1 - Vacuum Selection:

Field Adjustable - Select Model Code

Model	Adjustment Range	
	inHg	Millibar
<b>1</b>	5 - 30	170 - 1016

Insert set point value XXX followed by: R, F, MR, or MF

Set Point	Direction	Description
XXXX	<b>R</b>	inHg Rising Vacuum
	<b>F</b>	inHg Falling Vacuum
	<b>MR</b>	Millibar Rising Vacuum
	<b>MF</b>	Millibar Falling Vacuum

OR

## 2 - Thread Options:

- 2M** - 1/8 NPT male
- 4M** - 1/4 NPT male
- 2G** - 1/8 BSPP male, G1/8
- 4G** - 1/4 BSPP male, G1/4
- 4S** - 7/16-20 SAE male, with O-ring seal
- 6S** - 9/16-18 SAE male, with O-ring seal

## 3 - Circuit:

- A** - SPST (Normally Open)
- B** - SPST (Normally Closed)
- C** - SPDT (Single Pole Double Throw: Normally Open and Normally Closed)

## 4 - Electrical Termination:

- H** - DIN 43650A - connector type - male half only (only available in SPDT option)
- HC** - DIN 43650A - connector type (only available in SPDT option)
- HN** - DIN 43650A 1/2" NPT Conduit (only available in SPDT option)
- FL** - Flying Lead 18" long, 18 AWG
- FLWF** - Flying Lead Weatherpack connector, female, Tower, 10" long leads
- FLWM** - Flying Lead Weatherpack connector, male, Shroud, 10" long leads
- FLDP** - Flying Lead Deutsch connector, plug, 10" long leads
- FLDR** - Flying Lead Deutsch connector, receptacle, 10" long leads
- FLCM** - Flying Lead Metripack, male, 150 series, 10" long leads
- FLCF** - Flying Lead Metripack, female, 150 series, 10" long leads
- FLPM** - Flying Lead Metripack, male, 280 series, 10" long leads
- FLPF** - Flying Lead Metripack, female, 280 series, 10" long leads
- SP** - 1/4" Spade

## 5 - Options (Omit if not required):

- 1** - Viton® Diaphragm
- 2** - EPDM Diaphragm
- 3** - 316 Stainless Steel Housing
- 4** - HNBR Diaphragm
- 6** - Lead Free Brass
- 7** - Gold Contact, Snap Action Microswitch @ 20 mA / 12 VDC (minimum set point 7 inHg / 237 millibar)
- 8** - 10 amp, Snap Action Microswitch @ 10(2) 125 VAC (inductive), 6(2) 250 VAC (inductive) (minimum set point 7 inHg / 237 millibar)
- 20** - Seal adjustment Screw
- OC** - Oxygen Cleaned Switches
- CA** - IP67 rated protective cover with a removable plug (For Adjustable Switches, SVA Flying lead model)
- CS** - IP67 rated protective cover (For Factory Set Switches, SVF Flying lead model)



Note: Please see page 63 for other available options