



### DESCRIPTION

The SWA is a compact designed pressure switch ideal for OEM applications. It is available with WRAS approved EPDM diaphragm for potable water use. Features a high quality snap action micro switch for years of trouble free operation. Lead free brass is now available for special application requirements.

### FEATURES

- Very Compact
- Factory set or field adjustable
- Internally vented option
- WRAS approved EPDM diaphragms available

### APPLICATION

- Water pressure boost pumps
- Filter monitoring

\* UL available for certain models

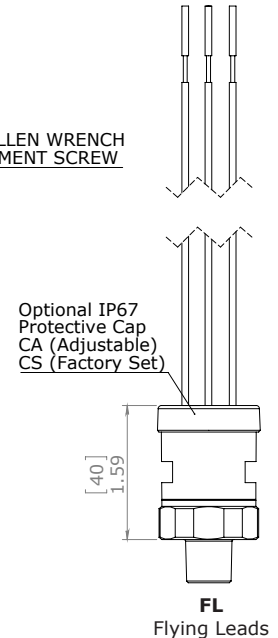
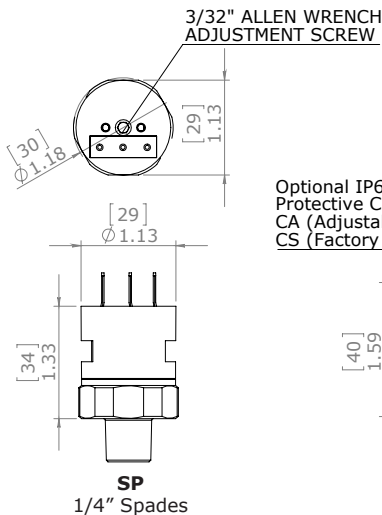
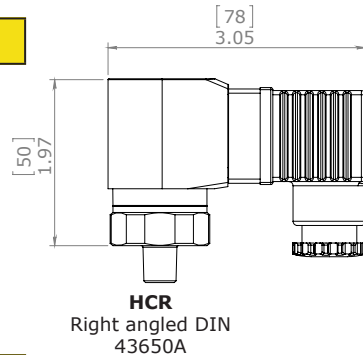
### Specifications

Electrical	5A [12/24 VDC, 125 VAC] or 3A [250 VAC] Optional: 10A or Gold Contact
Switch Type	Snap Action
Protection	DIN 43650A (18 mm): IP65 Spades: IP00 Flying Leads: IP64 Flying Lead with CA/CS - IP67
Media Temperature Range	Nitrile: -20°F to 180°F (-29°C to 82°C) Viton: 23°F to 248°F (-5°C to 120°C) HNBR: -20°F to 248°F (-29°C to 120°C) EPDM: -20°F to 248°F (-29°C to 120°C)
Ambient Temperature Range	-40°F to 180°F (-40°C to 82°C)
Diaphragm Material	Standard: Nitrile Optional: Viton, EPDM, HNBR
Housing Material	Standard: Brass Optional: Stainless Steel
Maximum Overpressure	250 PSI (17 BAR)
Repeatability	+/- 2% of full set point range at 20°C (68°F)
Weight	0.14 lbs (0.062 kg)

### Pressure Range

Model	Adjustment Range	
	PSI	BAR
1	7 - 21	0.5 - 1.5
2	15 - 35	1.0 - 2.4
4	30 - 100	2.1 - 6.9

### Dimensions



### Wiring Code

CONTACT	FLYING LEADS	DIN 43650 TYPE	FLWF / FLWM FLCM / FLCF / FLPM / FLPF		FLDR / FLDP	
			SPDT MODEL	SPST MODEL	SPDT MODEL	SPST MODEL
COMMON	BLACK	PIN 1	PIN A	PIN A	PIN A	PIN 1
NORMALLY CLOSED	BLUE	PIN 2	PIN C	PIN B	PIN C	PIN 2
NORMALLY OPEN	RED	PIN 3	PIN B	PIN B	PIN B	PIN 2

## Ordering Information

**Field Adjustable**    **SWA** - <sup>1</sup>**2** - <sup>2</sup>**2M** - <sup>3</sup>**C** - <sup>4</sup>**FL** - <sup>5 (Optional)</sup>**1**

**Factory Preset**    **SWF** - <sup>1</sup>**30F** - <sup>2</sup>**2M** - <sup>3</sup>**C** - <sup>4</sup>**FL** - <sup>5 (Optional)</sup>**1**

### 1 - Pressure Selection:

Field Adjustable - Select Model Code

Insert set point value XXX followed by: R, F, BR, or BF

Model	Adjustment Range	
	PSI	BAR
<b>1</b>	7 - 21	0.5 - 1.5
<b>2</b>	15 - 35	1.0 - 2.4
<b>4</b>	30 - 100	2.1 - 6.9

OR

Set Point	Direction	Description
XXXX	<b>R</b>	PSI Rising Pressure
	<b>F</b>	PSI Falling Pressure
	<b>BR</b>	BAR Rising Pressure
	<b>BF</b>	BAR Falling Pressure

### 2 - Thread Options:

- 2M** - 1/8 NPT male
- 4M** - 1/4 NPT male
- 2G** - 1/8 BSPP male, G1/8
- 4G** - 1/4 BSPP male, G1/4

### 3 - Circuit:

- A** - SPST (Normally Open)
- B** - SPST (Normally Closed)
- C** - SPDT (Single Pole Double Throw : Normally Open and Normally Closed)

### 4 - Electrical Termination:

- HCR** - 90 Degree DIN 43650A - connector type - (only available in SPDT option)
- FL** - Flying Lead 18" long, 18 AWG
- FLWF** - Flying Lead Weatherpack connector, female, Tower, 10" long leads
- FLWM** - Flying lead Weatherpack connector, male, Shroud, 10" long leads
- FLDP** - Flying Lead Deutsch connector, plug, 10" long leads
- FLDR** - Flying Lead Deutsch connector, receptacle, 10" long leads
- FLCM** - Flying Lead Metripack, male, 150 series, 10" long leads
- FLCF** - Flying Lead Metripack, female, 150 series, 10" long leads
- FLPM** - Flying Lead Metripack, male, 280 series, 10" long leads
- FLPF** - Flying Lead Metripack, female, 280 series, 10" long leads
- SP** - 1/4" Spade

### 5 - Options (Omit if not required):

- 1** - Viton® Diaphragm
- 2** - EPDM Diaphragm
- 3** - 316 Stainless Steel Housing
- 4** - HNBR Diaphragm
- 6** - Lead Free Brass
- 7** - Gold Contact, Snap Action Microswitch @ 20 mA/12 VDC (minimum set point 11 psi / 0.78 Bar)
- 8** - 10 amp, Snap Action Microswitch @ 10(2) 125 VAC (inductive), 6(2) 250 VAC (inductive) (minimum set point 11 psi / 0.78 Bar)
- 20** - Seal Adjustment Screw
- OC** - Oxygen Cleaned Switches
- SR** - Snubber
- CA** - IP67 rated protective cover with a removable plug (For adjustable switches, SWA flying lead model)
- CS** - IP67 rated protective cover (For factory set switches, SWF flying lead model)



Note: Please see page 63 for other available options